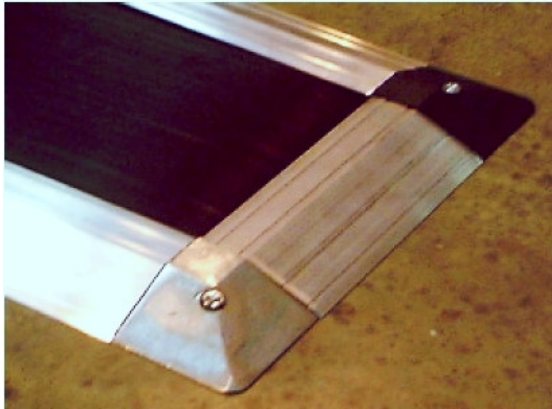


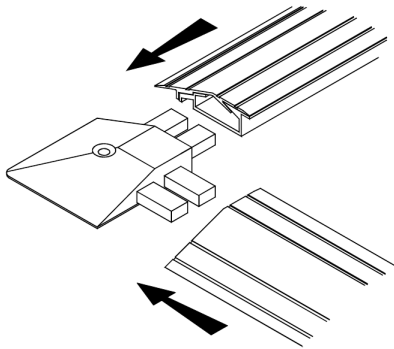
AE-13 Safety Mat Edging



Features and Benefits

- Secures mat to floor for proper positioning
- Ramped approach prevents trips
- Internal raceway routes and protects cables
- Corner pieces eliminate mitering
- Available pre-cut or as a DIY kit
- Simple installation and maintenance

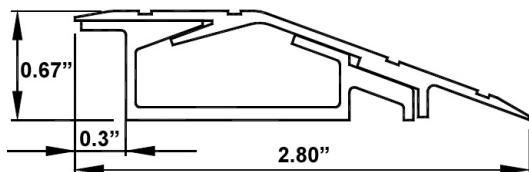
Tapeswitch AE-13 aluminum mat edging is used to secure safety mats in position. This specially designed edging is comprised of two parts; a base and a cover. The cover provides a 20 degree ramp to help prevent trip hazards at the mat edges. The base has a built-in raceway which can accommodate the mat wiring, protecting the cables from damage and acting as a conduit to route the cables to the control box.



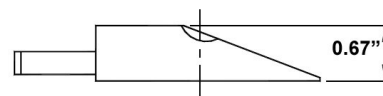
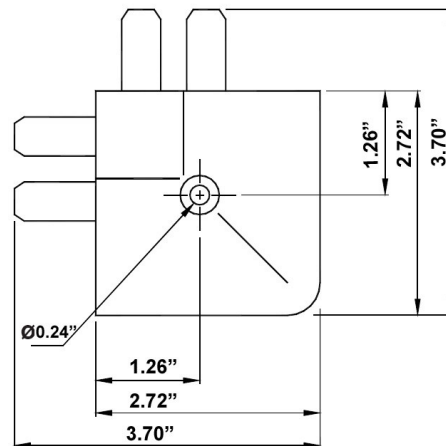
AE-C corner pieces have been designed to simplify the overall installation by eliminating the need for mitering the AE-13 edge pieces. These corner pieces can be **supplied in aluminum or in ABS**.

AE-13 mat edging is available either as a custom kit fitted to a specific mat installation or as individual lengths for DIY assembly on-site.

Dimensions



AE-13 Edging



AE-C Corner Piece