



Flexion™ Curvable Sensing Edge System

A pressure sensitive safety edge that follows application contours, curved or serpentine, in a choice of profiles, sensitivities, and colors

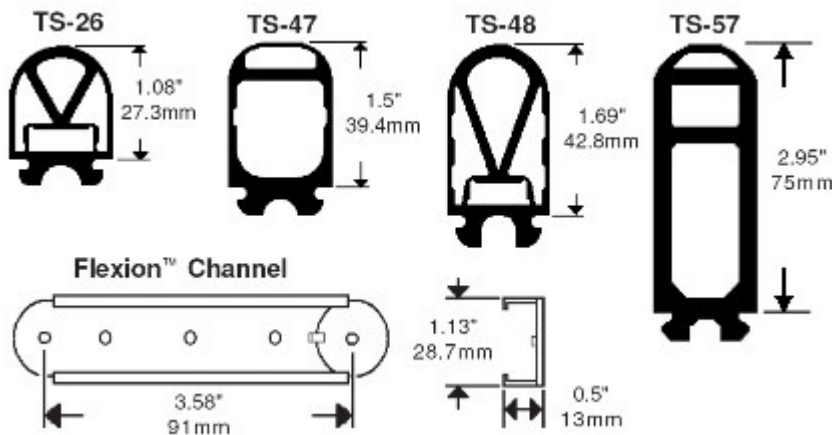
The **Flexion™ Curvable Sensing Edge System** from Tapeswitch offers a simple solution for situations where a pressure sensitive safety edge is required to curve laterally. The innovative interlinked mounting channel provides the flexibility to follow the natural contours of a mounting surface, including those with an “S” curve. The minimum radius is 18 inches, depending on the sensing edge selected.

The **Flexion™** system offers a choice of several sensing edge types with various profiles, sensitivities and colors. Each pressure sensitive safety edge is composed of a continuous length of sealed ribbon switch encased in a rugged extruded housing. All **Flexion™** Sensing Edges are supplied with [4-lead fail-safe](#) wiring and are compatible with Tapeswitch [Safety Controllers](#).

Features & Benefits



- Curvable mounting channel follows application contours, including serpentine shapes
- Choice of profile, sensitivity, and color to match application
- Rugged extruded housing is chemical and water resistant for long life
- Modular design for easy installation
- [4-lead fail-safe](#) wiring is standard



Typical Applications

- Medical tables
- Curved sliding doors
- Theatrical stage lifts
- Curved machinery doors
- Curved pinch points
- S-curve closures
- Any contoured sensing application

Specifications for Flexion Curvable Sensing Edge Products

Sensing Edge Type	TS-26	TS-47	TS-48	TS-57
Actuation Force	4.5 lb (20N)	1.2 lb (5.3N)	10 lb (44N)	1.2 lb (5.3N)
Overtravel	0.35 in (9mm)	1.0 in (25.4mm)	0.75 in (19mm)	2.4 in (61mm)
Recommended Voltage & Current	28 Vac or Vdc at 1.0 amps			
Housing Material	TPE or PVC	TPE	TPE	TPE
Color	black, yellow, red	black, red	black, yellow, red	black, yellow, red
Operating Temperature	IP-67, -30 °F to 170 °F (-34 °C to 77 °C) for TPE IP-67 , -10 °F to 145 °F (-23 °C to 63 °C) for PVC			

Contact Tapeswitch with your application requirements.