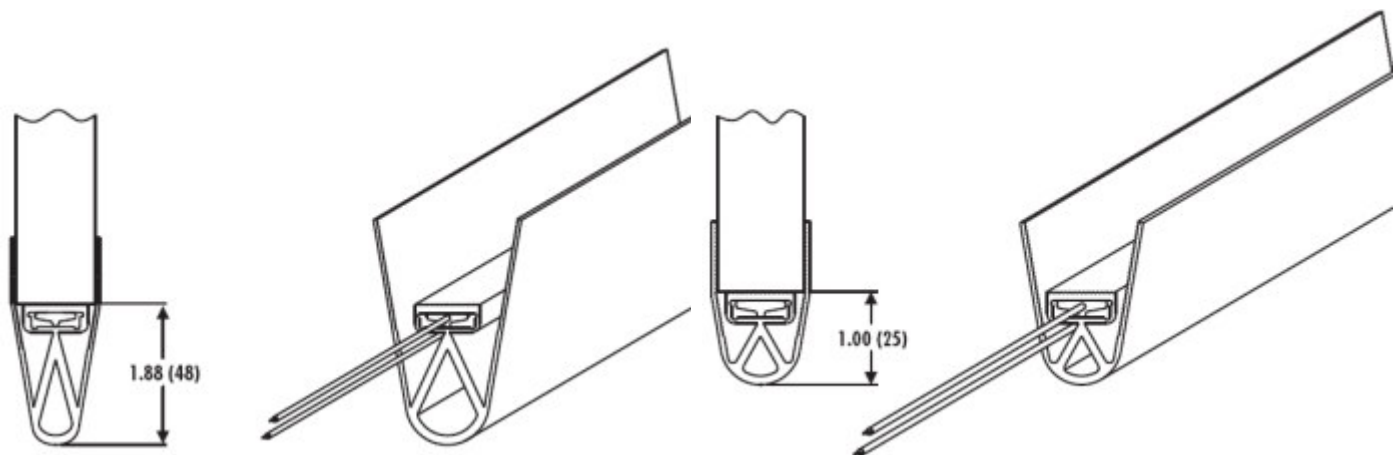


TS-108 & TS-109 Sensing Edges

A self-mounting, pressure sensitive safety edge with side activation and 50% overtravel, suitable for commercial and residential applications

Tapeswitch **TS-108 & TS-109 Pressure Sensitive Sensing Edges** are designed for mounting directly on door or stage edges without using channel. They have excellent side activation and about 50% overtravel cushioning. The TS-109 fits edges from 3/4" to 1-1/4" and the TS-108 fits edges from 7/8" to 2-1/4" thick.

The EPDM rubber housing is rugged and weatherproof. The sealed ribbon switch sensing element is rated for a long life of 3 million operations at any point, and is field replaceable, just in case. All TS-108 and TS-109 Sensing Edges are supplied with [4-lead fail-safe](#) wiring and are compatible with Tapeswitch [Safety Controllers](#).



The **TS-108** fits edges 7/8 " to 2-1/4" thick

Show me a **TS-108** in
["Drawing"](#) ["Black"](#)

The **TS-109** fits edges 3/4" to 1-1/4" thick

Show me a **TS-109** in
["Drawing"](#) ["Black"](#)

Features & Benefits

- Self-mounting eliminates need for channel
- Side activation maximizes protection
- Replaceable switching element simplifies maintenance
- [4-lead fail-safe](#) wiring is standard

Typical Applications

- Obstruction detection on power driven doors, gates, and partitions
- Pinch point protection on stage lifts and scenery elevators
- General residential and commercial sensing applications

Specifications for TS-108 & TS-109 Sensing Edges

Actuation Force	5 lbs (22 N) nominal
Overtravel	1.0" (25 mm) after activation for TS-108 0.5" (12 mm) after activation for TS-109
Recommended Voltage & Current	28 Vac or Vdc at 1.0 amps max.
Lead Wiring	2 x 20/2 AWG, Dri-Run, 72" long, 3/16" dia.
Exterior Housing	EPDM rubber
Available Lengths	6 in 10 ft
Environment	IP67, -10 to 145 °F (-23 to 63 °C)
Mounting Options	Contact cement, tacks, staples, batten strip or molding