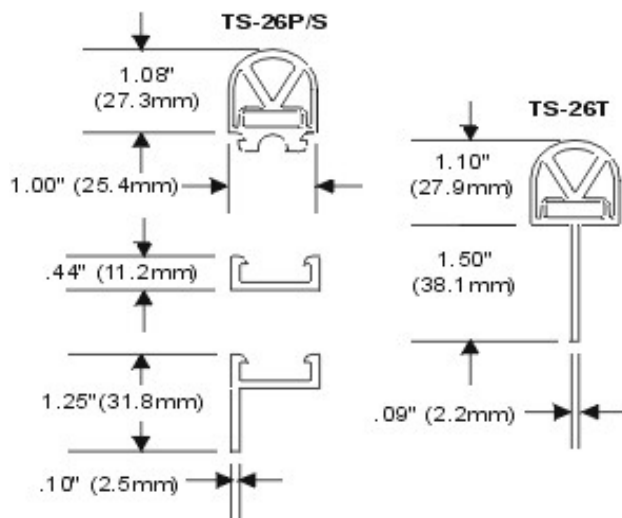


## TS-26 Sensing Edge

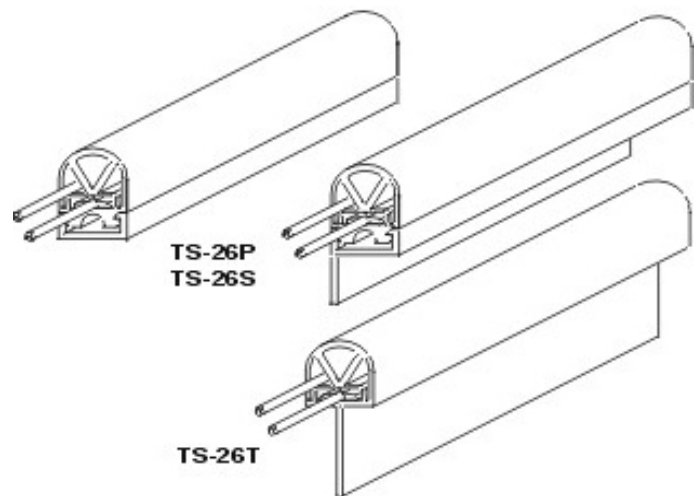
Medium profile, pressure sensitive safety edges  
 with immediate actuation and 3/8" overtravel

Tapeswitch **TS-26 Sensing Edges** are general purpose, medium profile, pressure sensitive safety edges. They provide immediate activation with minimal compliance, and about 3/8" of overtravel cushioning after activation. They also exhibit excellent side activation. TS-26 sensing edges are available in two mounting configurations: snap-in channel-mount (flat or angle) and clamp-mount.

Housings are available in PVC (TS-26P) or Santoprene (TS-26S and TS-26T). Both materials are resistant to water, oil, hydraulic fluids, and coolants. The internal switching elements are rated for 3 million operations at any point. All TS-26 Pressure Sensitive Safety Edges are supplied with [4-lead fail-safe](#) wiring and are compatible with Tapeswitch [Safety Controllers](#).



Show me a **TS-26S or TS-26P** in  
["Drawing"](#) ["Black"](#) ["Red"](#) ["Yellow"](#)



Show me a **TS-26T** in  
["Drawing"](#) ["Red"](#)

### Features & Benefits

- Medium profile for larger target zone
- Low compliance for immediate activation
- 35% over-travel after activation
- Excellent side activation properties
- [4-lead fail-safe](#) wiring is standard

### Typical Applications

- Pinch protection on machinery edges and medical tables
- Obstruction detection on automatic doors and gates
- Collision sensors on AGVs or large moving machinery

## Specifications for TS-26 Sensing Edges

Actuation Force	4.5 lbs nominal
Overtravel	0.35" (9 mm) after activation
Recommended Voltage & Current	28 Vac or Vdc at 1.0 amps max.
Lead Wiring	2 x 20/2 AWG, Dri-Run, 72" long, 3/16" dia.
Exterior Housing	PVC for TS-26P Santoprene TPE for TS-26S and TS-26T
Available Lengths	6 in to 16 ft
Environment	-10 to 145 °F (-23 to 63 °C) for TS-26P -30 to 170°F (-34 to 77 °C for TS-26S and TS-26T
Mounting Options	Aluminum channel (flat or angle) for TS-26P and TS-26S PVC channel (flat only) for TS-26P and TS-26S Clamp mounting for TS-26T only
End Caps	For TS-26P only (End caps are black)