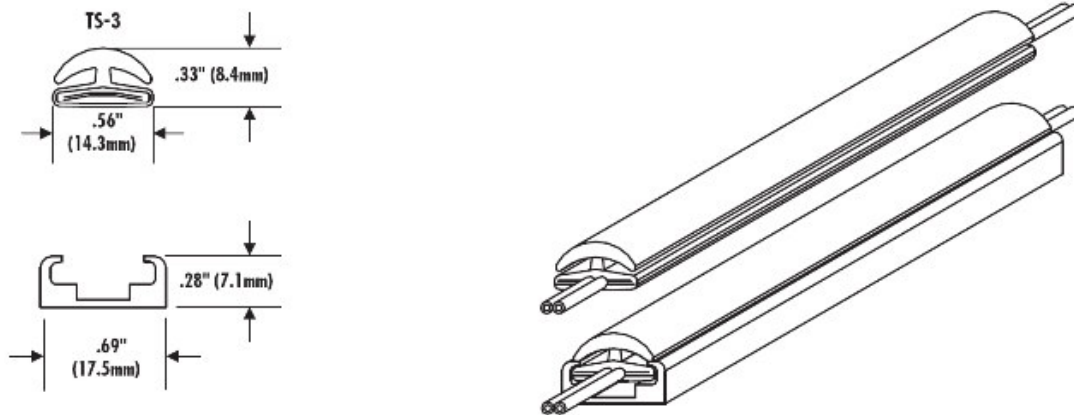


TS-3 Micro Sensing Edge

Lowest profile, high sensitivity, pressure sensitive safety edges with immediate actuation and no overtravel

Tapeswitch **TS-3 Micro Sensing Edges** are among the most compact pressure sensitive safety edges available. Only ½ inch wide and 5/16 inch high, they provide reliable sensing in minimum space. These edges can be mounted with double-faced tape or using aluminum channel.

TS-3 Micro Sensing Edges are available in lengths from 6 in. to over 100 ft, making them suitable for pressure sensitive detection, signaling, or emergency stops on long assembly lines or conveyor systems. The PVC housing is resistant to water, oil, hydraulic fluids, and coolants. The internal switching element is rated for 3 million operations at any point. All TS-3 pressure sensitive safety edges are supplied with [4-lead fail-safe](#) wiring and are compatible with Tapeswitch [Safety Controllers](#).



Show me a **TS-3** in
["Drawing"](#) ["Black"](#) ["Red"](#) ["Yellow"](#) ["White"](#)

Features & Benefits

- **Lowest profile fits limited space**
- **High sensitivity for immediate activation**
- **Good side sensitivity for off-angle activation**
- **[4-lead fail-safe](#) wiring is standard**

Typical Applications

- **Pinch protection on scissor lifts, machinery edges, and medical tables**
- **Obstruction detection on automatic doors**
- **Foot-operated stop switches for shop floor**

Specifications for TS-3 Micro Sensing Edges

Actuation Force	3.0 lbs (13 N) nominal (no channel) 4.0 lbs (18 N) nominal (in channel)
Overtravel	None
Recommended Voltage & Current	28 Vac or Vdc at 1.0 amps max.
Lead wiring	2 x 22/2 AWG, 4-wire fail-safe, 18" long
Exterior Housing	PVC
Available lengths	6 in to 10 ft
Environment	IP67, -10 to 145 °F (-23 to 63 °C)
Mounting Options	Aluminum channel (snap-in), or double-faced tape