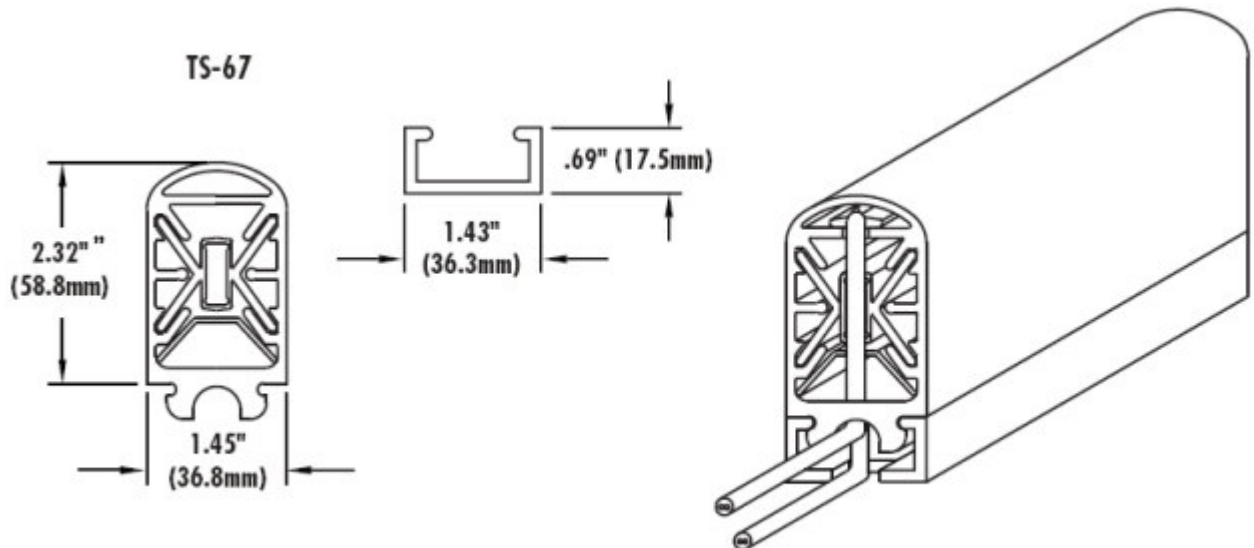


TS-67 Omni-Directional Sensing Edge

Pressure sensitive safety edges that operate from the top, side, or at an angle, providing immediate actuation with 1" overtravel

Tapeswitch **TS-67 Omni-Directional Sensing Edges** are unique, dual-switch products that exhibit uniform high sensitivity when deflected in any direction – top, side, or at an angle. After actuation, these pressure sensitive safety edges provide 1" of protective overtravel cushioning. Mounting is by means of snap-in PVC channel. The internal switching elements are rated for 3 million operations at any point.

Originally designed for the specialized requirements of revolving doors, TS-67 pressure sensitive sensing edges are suitable for any application requiring a highly sensitive and flexible edge. They are especially appropriate when the direction of impact varies. TS-67 pressure sensitive safety edges are supplied with [4-lead fail-safe](#) wiring and are compatible with Tapeswitch [Safety Controllers](#).



Show me a **TS-67** in
["Drawing"](#) ["Black"](#)

Features & Benefits

- Dual-switch design for high sensitivity in all directions
- Immediate activation provides maximum protection
- 1" of overtravel for cushioning after contact with a person or object
- [4-lead fail-safe](#) wiring is standard

Typical Applications

- Powered revolving doors or gates
- Swinging doors on machinery
- Fast-moving powered closures
- Impact protection on moving machinery
- Pinch protection on sliding surfaces
- Applications requiring multi-directional sensing

Specifications for TS-67 Omni-Directional Sensing Edges

Actuation Force	6 lbs (27 N) nominal
Overtravel	1.0" (25 mm) after activation
Recommended Voltage & Current	28 Vac or Vdc at 1.0 amps max.
Lead Wiring	2 x 20/2 AWG, Dri-Run, 72" long, 3/16" dia.
Exterior Housing	Santoprene TPE
Available Lengths	6 in to 9 ft
Environment	IP67, -30 to 170°F (-34 to 77 °C)
Mounting Options	PVC snap-in channel