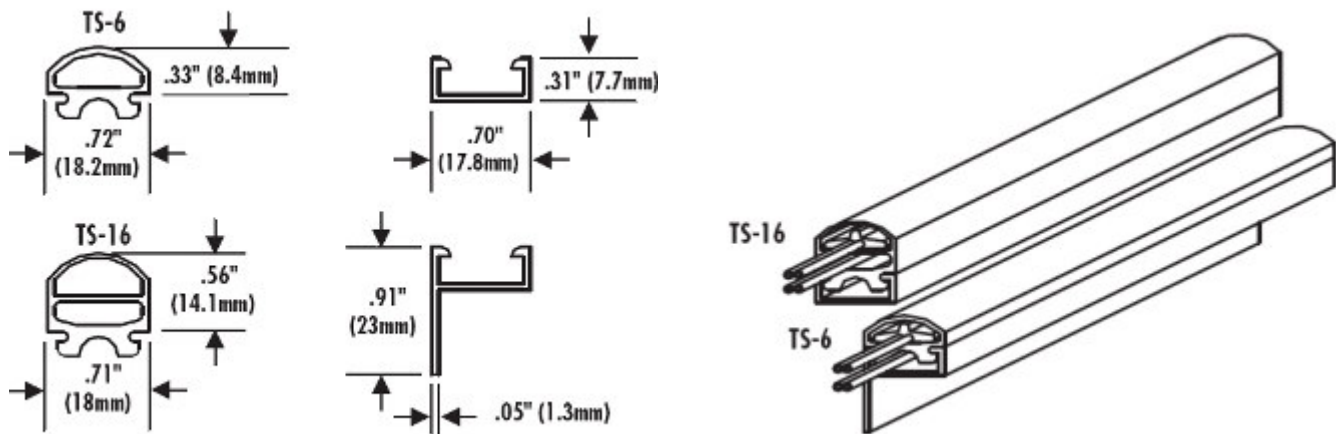


TS-6 & TS-16 Mini Sensing Edges

Low profile, pressure sensitive safety edges with high sensitivity and immediate actuation with no overtravel (TS-6) or 1/4" overtravel (TS-16)

Tapeswitch **TS-6 & TS-16 Mini Sensing Edges** are designed for limited space applications requiring a high sensitivity, pressure sensitive safety edge. These two sensing edges differ mainly in height and sensitivity. The TS-6 is 0.33" high and requires 1.5 lbs to activate, while the TS-16 is 0.56" high and requires 2.2 lbs to activate.

These pressure sensitive sensing edges have PVC housings, which are resistant to water, oil, hydraulic fluids, and coolants. The internal switching elements are rated for 3 million operations at any point. They mount in snap-in channel that is available in two configurations: flat (aluminum or PVC) or with a right-angle mounting edge (aluminum only). All TS-6 and TS-16 pressure sensitive safety edges are supplied with [4-lead fail-safe](#) wiring and are compatible with Tapeswitch [Safety Controllers](#).



Show me a **TS-6** in
["Drawing"](#) ["Black"](#) ["Red"](#) ["Orange"](#) ["Yellow"](#)

Show me a **TS-16** in
["Drawing"](#) ["Black"](#) ["Red"](#) ["Orange"](#) ["Yellow"](#)

Features & Benefits

- Low profile for limited space applications
- High sensitivity, low compliance for immediate activation
- Some over-travel allows compression after activation
- [4-lead fail-safe](#) wiring is standard

Typical Applications

- Pinch protection on scissor lifts, machinery edges, and medical tables
- Obstruction detection on automatic doors, moving shelves, and storage systems
- Residential and commercial sensing applications

Specifications for TS-6 & TS-16 Sensing Edges

Actuation Force	1.5 lb (6.7 N) nominal for TS-6 2.2 lb (9.8 N) nominal for TS-16
Overtravel	0.04" (1 mm) after activation for TS-6 0.20" (5 mm) after activation for TS-16
Recommended Voltage & Current	28 Vac or Vdc at 1.0 amps max.
Lead Wiring	2 x 22/2 AWG, 4-wire fail-safe, 18" long
Exterior Housing	PVC
Available Lengths	6 in to 16 ft
Environment	IP67, -10 to 145 °F (-23 to 63 °C)
Mounting Options (all are snap-in)	Aluminum channel (flat or flanged) PVC channel (flat only)