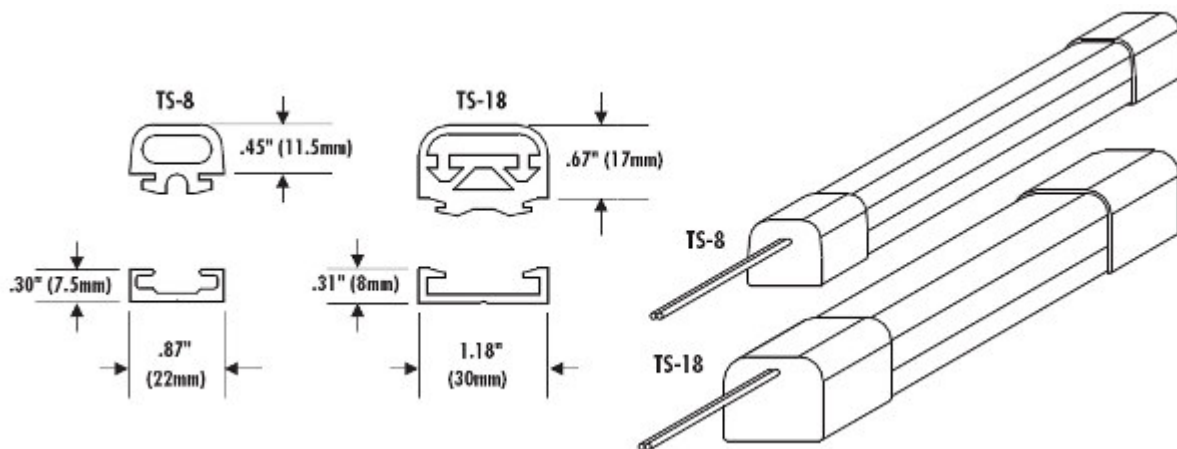


TS-8 & TS-18 Mini Sensing Edges

Low profile, pressure sensitive safety edges with end caps, that offer immediate actuation and no overtravel (TS-8) or 1/4" overtravel (TS-18)

Tapeswitch **TS-8 & TS-18 Mini Sensing Edges** are designed for limited space applications where pressure sensitive safety edges with end caps are desirable for cosmetic or environmental reasons. These two sensing edges differ in housing material: PVC for the TS-8 and EPDM for the TS-18. They also differ slightly in size: the TS-8 being about 25% smaller than the TS-18 and slightly more sensitive. Mounting is by means of snap-in aluminum channel.

The EPDM rubber housing is resistant to water, oil, hydraulic fluids, and coolants and has a wider temperature range than PVC. The internal switching element in both safety edges is rated for 3 million operations at any point. All TS-8 and TS-18 Pressure Sensitive Sensing Edges are supplied with [4-lead fail-safe](#) wiring and are compatible with Tapeswitch [Safety Controllers](#).



Show me a **TS-8/18** in
["Drawing"](#) ["Black"](#)

Features & Benefits

- Low profile for limited space applications
- End caps for cosmetic or environmental concerns
- Some over-travel allows compression after activation
- [4-lead fail-safe](#) wiring is standard

Typical Applications

- Pinch protection on machinery edges, and medical tables
- Signaling or personnel protection on machining centers
- General switching applications requiring a large switching surface

Specifications for TS-8 & TS-18 Mini Sensing Edges

Actuation Force	2.5 lbs (11 N) nominal for TS-8 3.0 lbs (13 N) nominal for TS-18
Overtravel	0.10" (3 mm) after activation for TS-8 0.25" (6 mm) after activation for TS-18
Recommended Voltage & Current	28 Vac or Vdc at 1.0 amps max.
Lead Wiring	2 x 22/2 AWG, 4-wire fail-safe, 18" long
Exterior Housing	PVC for TS-8 EPDM for TS-18
Available Lengths	6 in to 16 ft
Environment	IP67, -10 to 145°F (-23 to 63 °C) for TS-8 IP67, -30 to 170°F (-34 to 77 °C) for TS-18
Mounting Options	Flat Aluminum channel